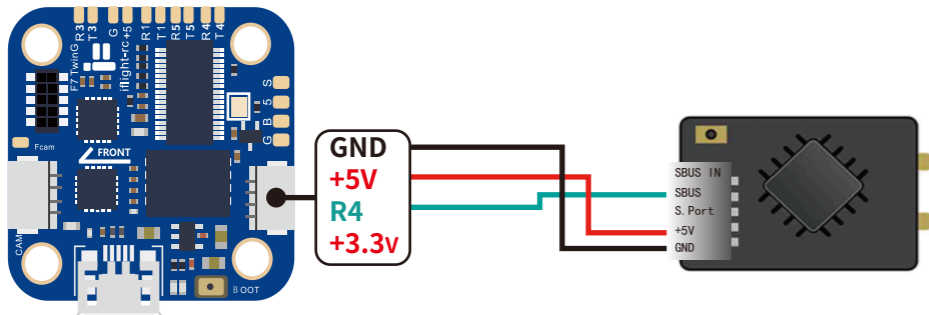


# iFlight Succex Mini F7 V3 iFlight Tower

## Receiver

Firmware Target: IFLIGHT\_F722\_TWING



SBUS

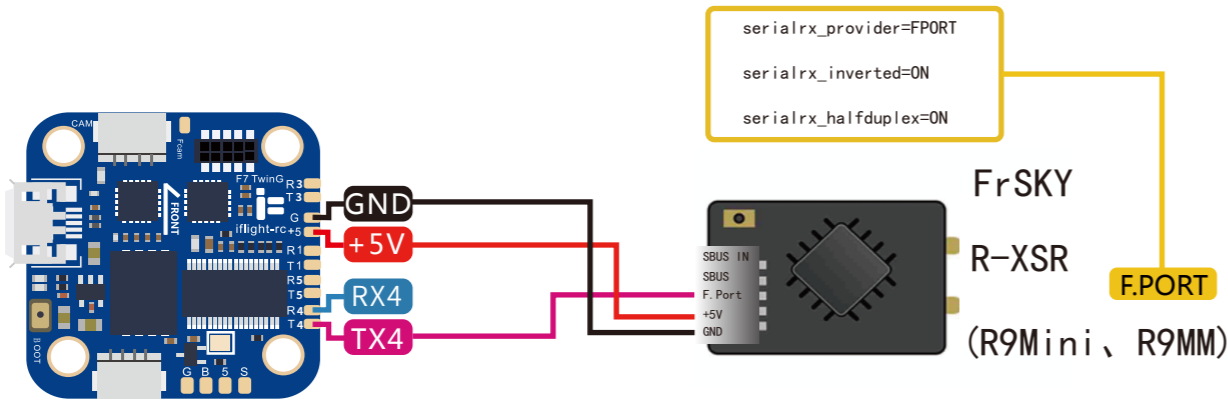
Identifier	Configuration/MSP	Serial Rx
USB VCP	<input checked="" type="checkbox"/> 115200	<input type="checkbox"/>
UART1	<input type="checkbox"/> 115200	<input type="checkbox"/>
UART2	<input type="checkbox"/> 115200	<input type="checkbox"/>
UART3	<input type="checkbox"/> 115200	<input type="checkbox"/>
UART4	<input type="checkbox"/> 115200	<input checked="" type="checkbox"/>
UART5	<input type="checkbox"/> 115200	<input type="checkbox"/>

Receiver

Serial-based receiver (SPEKSAT, ε) Receiver Mode

**Note:** Remember to configure a Serial Port (via Ports tab) and choose a Serial Receiver Provider when using RX\_SERIAL feature.

SBUS Serial Receiver Provider



F.PORT

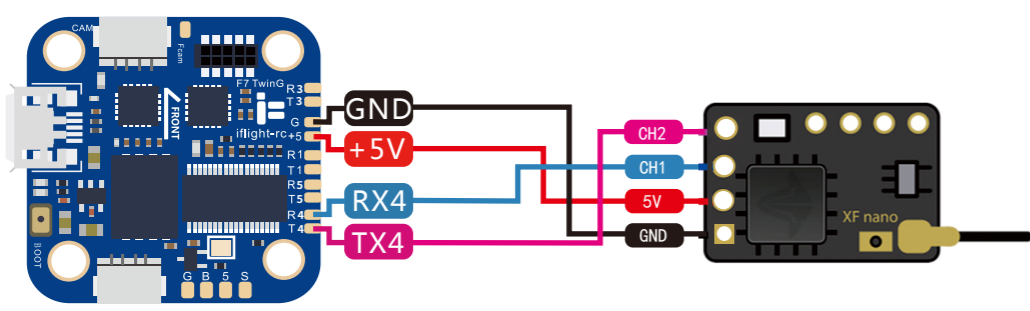
Identifier	Configuration/MSP	Serial Rx
USB VCP	<input checked="" type="checkbox"/> 115200	<input type="checkbox"/>
UART1	<input type="checkbox"/> 115200	<input type="checkbox"/>
UART2	<input type="checkbox"/> 115200	<input type="checkbox"/>
UART3	<input type="checkbox"/> 115200	<input type="checkbox"/>
UART4	<input type="checkbox"/> 115200	<input checked="" type="checkbox"/>
UART5	<input type="checkbox"/> 115200	<input type="checkbox"/>

Receiver

Serial-based receiver (SPEKSAT, ε) Receiver Mode

**Note:** Remember to configure a Serial Port (via Ports tab) and choose a Serial Receiver Provider when using RX\_SERIAL feature.

FrSky FPort Serial Receiver Provider



TBS Nano

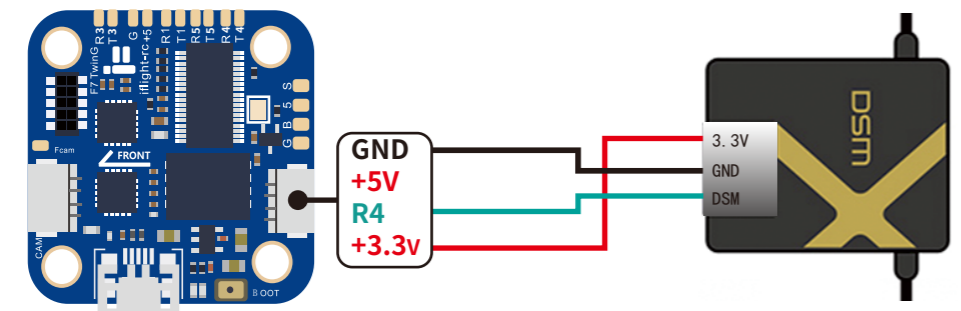
Identifier	Configuration/MSP	Serial Rx
USB VCP	<input checked="" type="checkbox"/> 115200	<input type="checkbox"/>
UART1	<input type="checkbox"/> 115200	<input type="checkbox"/>
UART2	<input type="checkbox"/> 115200	<input type="checkbox"/>
UART3	<input type="checkbox"/> 115200	<input type="checkbox"/>
UART4	<input type="checkbox"/> 115200	<input checked="" type="checkbox"/>
UART5	<input type="checkbox"/> 115200	<input type="checkbox"/>

Receiver

Serial-based receiver (SPEKSAT, ε) Receiver Mode

**Note:** Remember to configure a Serial Port (via Ports tab) and choose a Serial Receiver Provider when using RX\_SERIAL feature.

CRSF Serial Receiver Provider



DSMX

Identifier	Configuration/MSP	Serial Rx
USB VCP	<input checked="" type="checkbox"/> 115200	<input type="checkbox"/>
UART1	<input type="checkbox"/> 115200	<input type="checkbox"/>
UART2	<input type="checkbox"/> 115200	<input type="checkbox"/>
UART3	<input type="checkbox"/> 115200	<input type="checkbox"/>
UART4	<input type="checkbox"/> 115200	<input checked="" type="checkbox"/>
UART5	<input type="checkbox"/> 115200	<input type="checkbox"/>

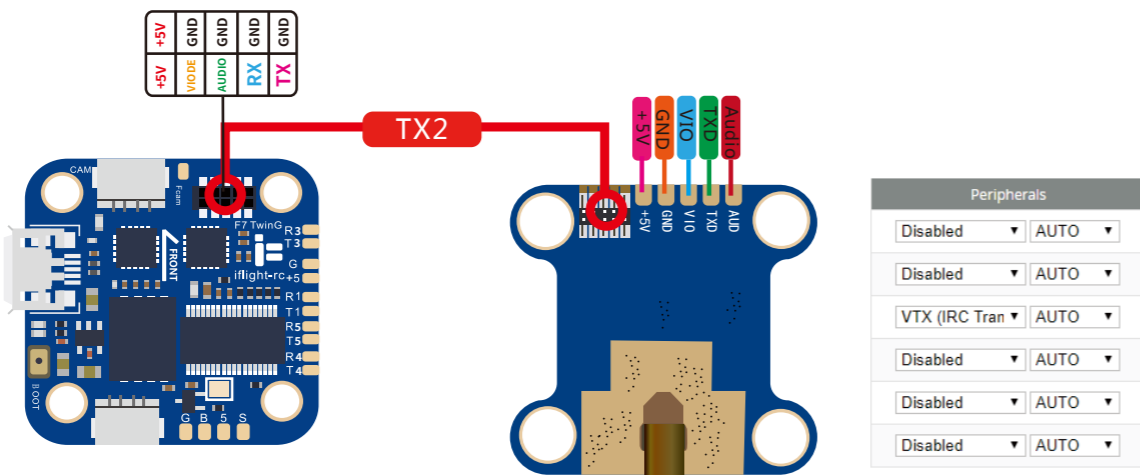
Receiver

Serial-based receiver (SPEKSAT, ε) Receiver Mode

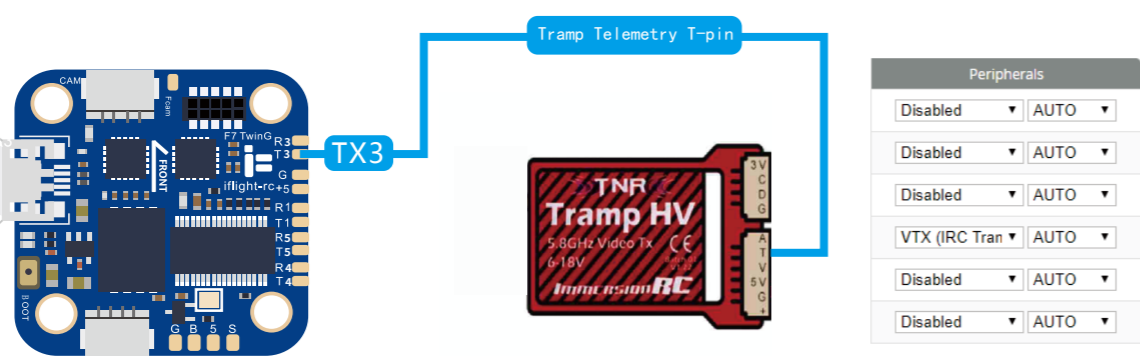
**Note:** Remember to configure a Serial Port (via Ports tab) and choose a Serial Receiver Provider when using RX\_SERIAL feature.

SPEKTRUM2048 Serial Receiver Provider

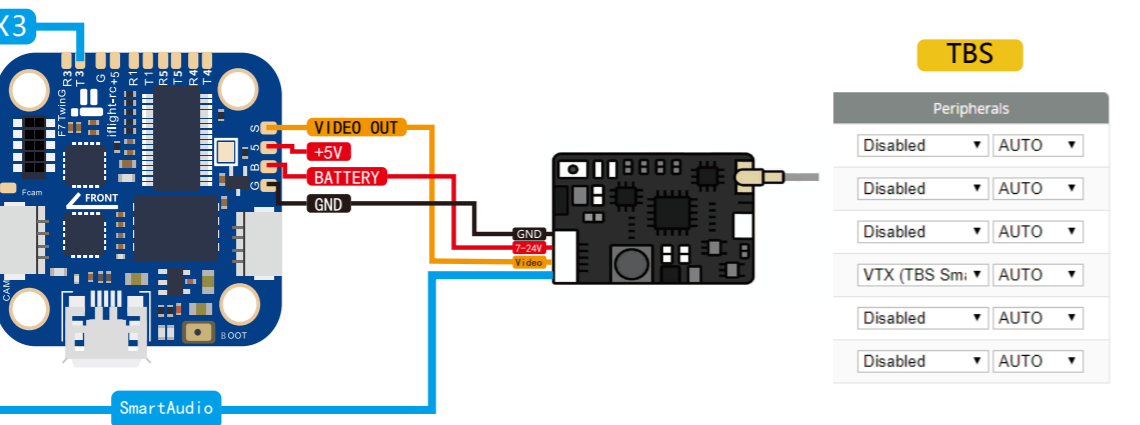
## VTX



Peripherals	Configuration
Disabled	AUTO
Disabled	AUTO
VTX (IRC Tran)	AUTO
Disabled	AUTO
Disabled	AUTO
Disabled	AUTO



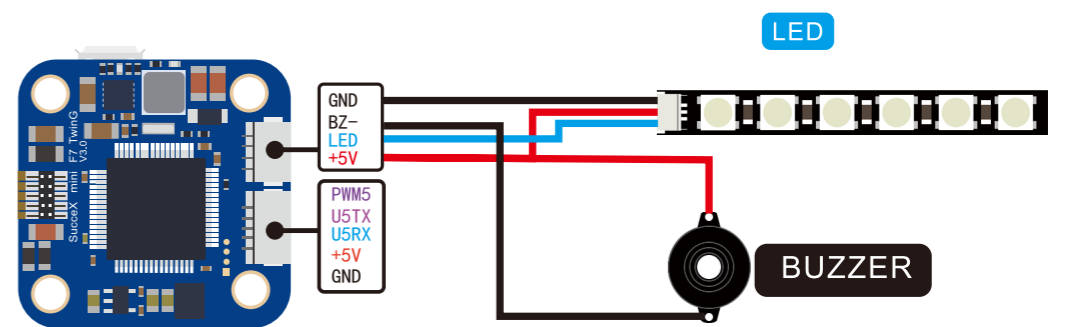
Peripherals	Configuration
Disabled	AUTO
Disabled	AUTO
VTX (IRC Tran)	AUTO
Disabled	AUTO
Disabled	AUTO
Disabled	AUTO



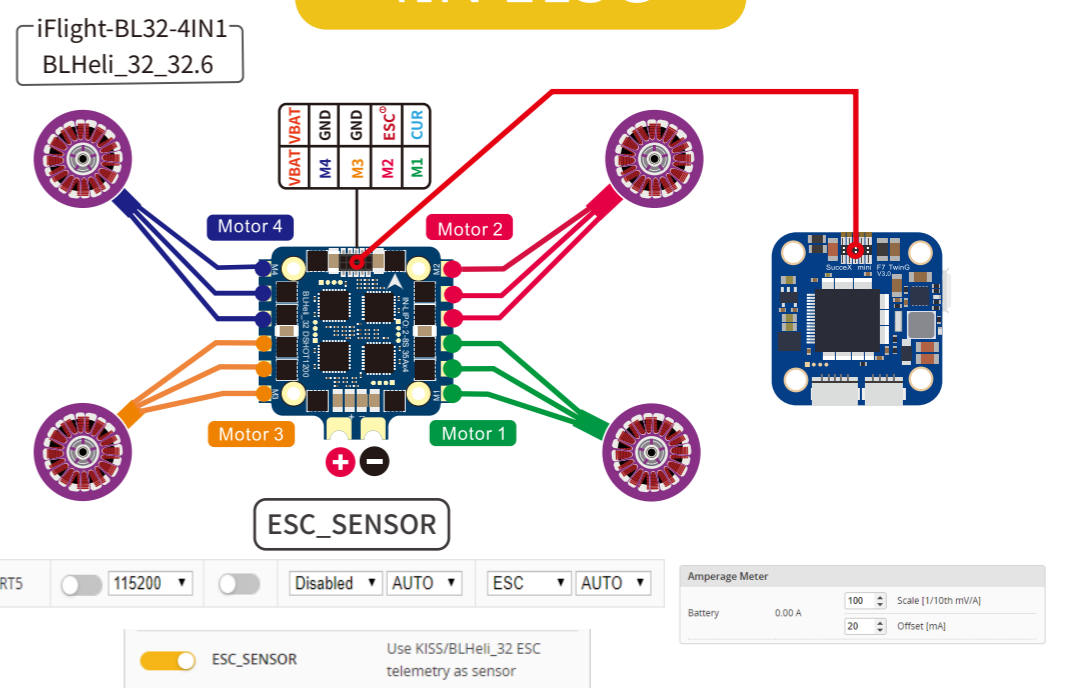
TBS

Peripherals	Configuration
Disabled	AUTO
Disabled	AUTO
VTX (TBS Sm)	AUTO
Disabled	AUTO
Disabled	AUTO
Disabled	AUTO

## LED/BUZZER

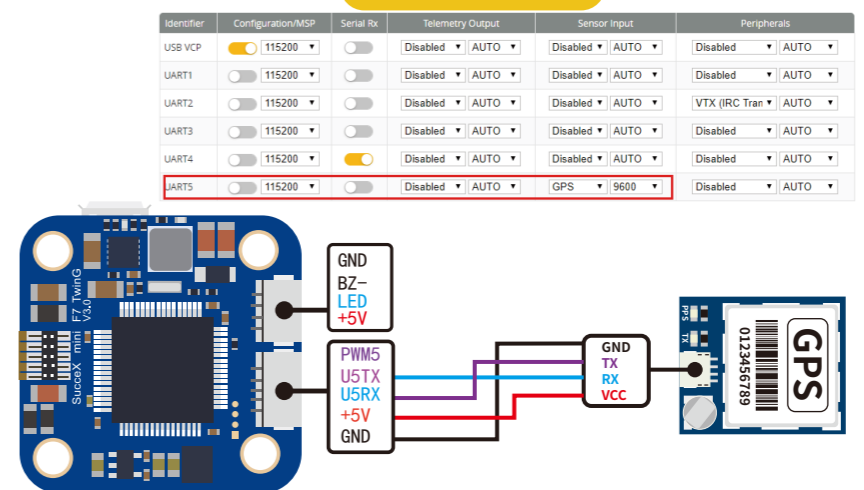


## 4IN 1ESC



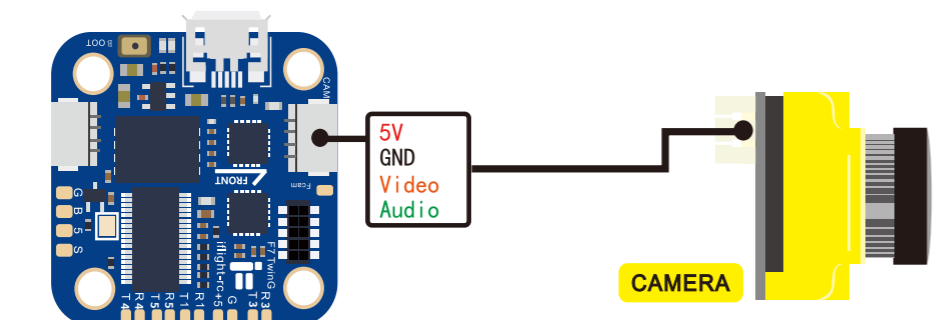
UART5	Configuration/MSP	Serial Rx	Telemetry Output	Sensor Input	Peripherals
<input type="checkbox"/>	115200	<input type="checkbox"/>	Disabled	AUTO	Disabled
<input type="checkbox"/>	115200	<input type="checkbox"/>	Disabled	AUTO	Disabled
<input type="checkbox"/>	115200	<input type="checkbox"/>	Disabled	AUTO	VTX (IRC Tran)
<input type="checkbox"/>	115200	<input type="checkbox"/>	Disabled	AUTO	Disabled
<input type="checkbox"/>	115200	<input type="checkbox"/>	Disabled	AUTO	Disabled
<input checked="" type="checkbox"/>	115200	<input type="checkbox"/>	Disabled	AUTO	GPS

## GPS



GPS	Configuration/MSP	Serial Rx	Telemetry Output	Sensor Input	Peripherals
<input checked="" type="checkbox"/>	115200	<input type="checkbox"/>	Disabled	AUTO	Disabled
<input type="checkbox"/>	115200	<input type="checkbox"/>	Disabled	AUTO	Disabled
<input type="checkbox"/>	115200	<input type="checkbox"/>	Disabled	AUTO	VTX (IRC Tran)
<input type="checkbox"/>	115200	<input type="checkbox"/>	Disabled	AUTO	Disabled
<input type="checkbox"/>	115200	<input type="checkbox"/>	Disabled	AUTO	Disabled
<input checked="" type="checkbox"/>	115200	<input type="checkbox"/>	Disabled	AUTO	GPS

## CAM



CAMERA